

Torque Settings



Nissan K21

Head Bolt Part # 30066058

Torque Setting:

Stage 1: 24 Nm

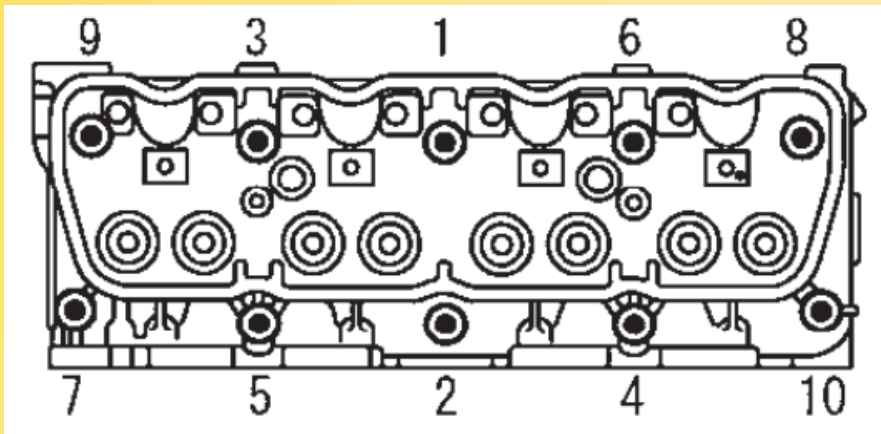
Stage 2: 68 Nm

Stage 3: Loosen all bolts

Stage 4: 24 Nm

Stage 5: +90 Degrees

Torque Sequence:



Notes:

All Threads, Heads & Washers must be lightly oiled.

Use an old head bolt with a groove cut down the thread to clean the threads in the block.