

Torque Settings



Suzuki J24B

Head Bolt Part Number: 30076086

Head Bolt Tightening Sequence:

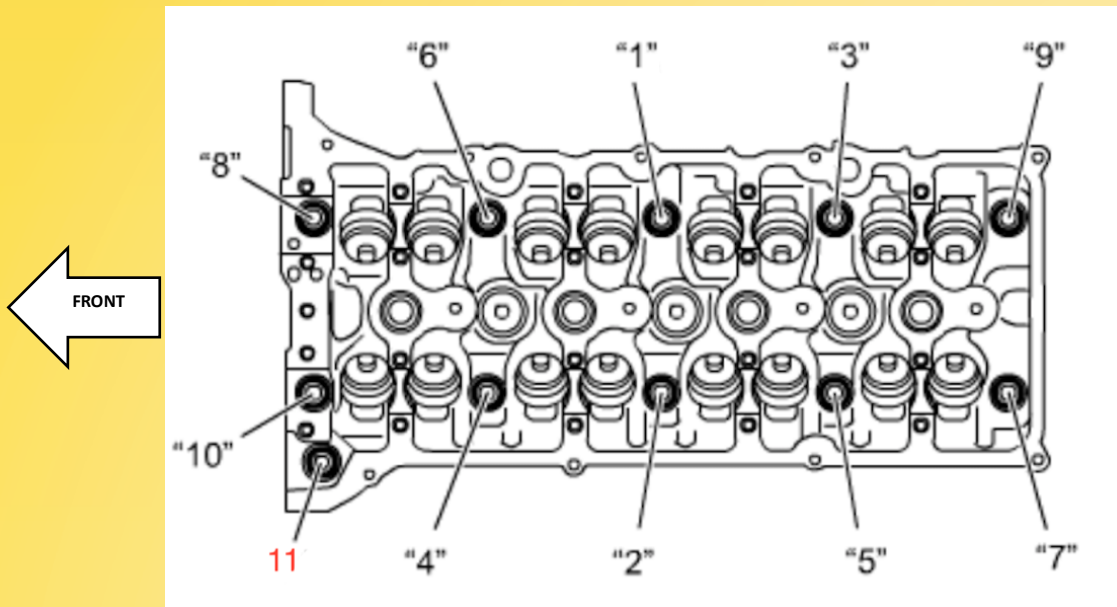
Stage 1: Bolts 1 to 10 20Nm

Stage 2: Bolts 1 to 10 40Nm

Stage 3: Bolts 1 to 10 +60 Degrees

Stage 4: Bolts 1 to 10 +80 Degrees

Stage 5: Bolt 11 25Nm



Notes:

All Threads, Heads & Washers must be lightly oiled.

Use an old head bolt with a groove cut down the thread to clean the threads in the block.